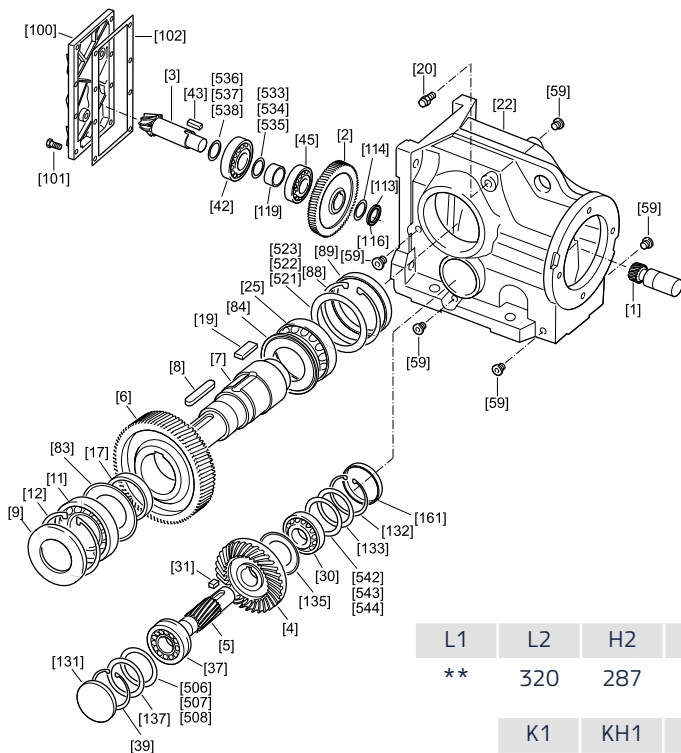


دیتاشیت و مشخصات فنی گیربکس بول هلیکال شریف

اجزاء سازنده

Components

No.	Name
[1]	Pinion
[2]	Gear
[3]	Pinion shaft
[4]	Gear
[5]	Pinion shaft
[6]	Gear
[7]	Output shaft
[8]	Key
[9]	Oil seal
[11]	Rolling bearing
[12]	Retaining ring
[17]	Spacer tube
[19]	Key
[20]	Breather valve
[22]	Gear unit housing
[25]	Rolling bearing
[30]	Rolling bearing
[31]	Key
[37]	Rolling bearing
[39]	Retaining ring
[42]	Rolling bearing
[43]	Key
[45]	Rolling bearing
[59]	Screw plug
[83]	Shield ring
[84]	Shield ring
[88]	Retaining ring
[89]	Closing cap
[100]	Inspection cover
[101]	Hex head screw
[102]	Gasket
[113]	Slotted nut
[114]	Multi-tang washer
[116]	Thread lock



No.	Name
[119]	Spacer tube
[131]	Closing cap
[132]	Retaining ring
[133]	Supporting ring
[135]	Shield ring
[137]	Supporting ring
[161]	Closing cap
[506]-[544]	Shim

نقشه انفجاری

Exploded view drawing

K77



مشخصات عمومی

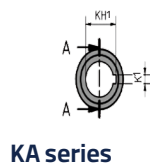
General information

فولاد	جنس دنده
Steel	Gear material
چدن	جنس پوسته
Iron	Shell material
50 (mm)	قطر شافت یا هالو شافت خروجی Output shaft or hollow shaft diameter
50 (mm)	قطر هالو شفت در صورت استفاده از شیرینگ دیسک The diameter of the hollow shaft with shrink disk

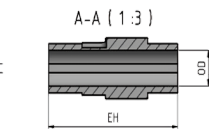
ابعاد و اندازه

Dimensions and size

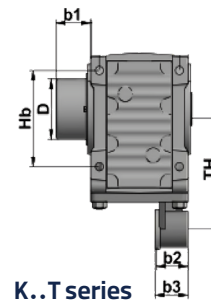
L1	L2	H2	Ch	CL	W	Wb	Hb	OL	Lb	Od	K	Kh	OD	EH
**	320	287	180	118	200	165	200	100	150	50	14	44.5	50	214
K1	KH1	OD2	EH2	Hb	D	b1	b2	b3	TH	d2	d3	b		
14	53.8	50	245	200	130	58	55	60	252	230	300	37		



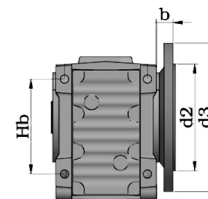
KA series



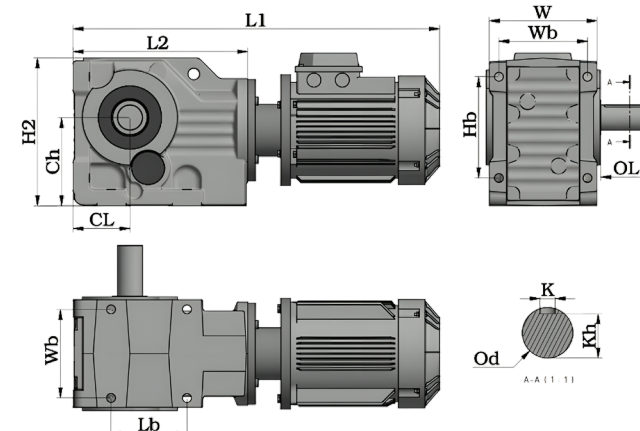
KH series



K..T series



KF series



Power		Speed	Pole Num	n2	Ratio	T	Fs
(kw)	(hp)	(rpm)		(rpm)		(N.m)	
0.37	0.5	1500	4P	9	155	393	3.6
0.37	0.5	1000	6P	8	115.89	442	3.6
0.37	0.5	1000	6P	6	155	589	2.34
0.55	0.75	1500	4P	9	155	584	2.4
0.55	0.75	1500	4P	12	115.89	438	3.64
0.55	0.75	1500	4P	16	90.59	328	4.4
0.55	0.75	1000	6P	6	155	875	1.56
0.55	0.75	1000	6P	8	115.89	657	2.4
0.55	0.75	1000	6P	11	90.59	478	3
0.75	1	1500	4P	9	155	796	1.8
0.75	1	1500	4P	12	115.89	597	2.73
0.75	1	1500	4P	16	90.59	448	3.33
0.75	1	1000	6P	6	155	1194	1.17
0.75	1	1000	6P	8	115.89	895	1.8
0.75	1	1000	6P	11	90.59	651	2.25
1.1	1.5	1500	4P	12	115.89	875	1.82
1.1	1.5	1500	4P	16	90.59	657	2.22
1.1	1.5	1500	4P	23	61.7	457	2.86
1.1	1.5	1500	4P	31	46.21	339	3.74
1.1	1.5	1000	6P	8	115.89	1313	1.2
1.1	1.5	1000	6P	11	90.59	955	1.5
1.5	2	1500	4P	12	115.89	1194	1.37

Power		Speed	Pole Num	n2	Ratio	T	Fs
(kw)	(hp)	(rpm)		(rpm)		(N.m)	
1.5	2	1500	4P	16	90.59	895	1.67
1.5	2	1500	4P	20	73.57	716	1.82
1.5	2	1500	4P	23	61.7	623	2.15
1.5	2	1500	4P	31	46.13	462	3.27
2.2	3	1000	6P	17	55	1236	1.21
2.2	3	1000	6P	22	42.99	955	1.44
2.2	3	1000	6P	28	34.55	750	1.88
2.2	3	1500	4P	20	73.57	1051	1.2
2.2	3	1500	4P	23	61.7	913	1.43
2.2	3	1500	4P	31	46.13	678	2.18
2.2	3	1500	4P	40	36.06	525	2.44
2.2	3	1500	4P	50	29.28	420	2.87
3	4	1500	4P	26	55	1102	1.38
3	4	1500	4P	31	46.13	924	1.64
3	4	1500	4P	40	36.06	716	1.83
3	4	1500	4P	50	29.28	573	2.15
3	4	1500	4P	54	27	531	2.37
3	4	1500	4P	66	21.89	434	3.3
4	5.5	1500	4P	31	46.13	1232	1.19
4	5.5	1500	4P	40	36.06	955	1.33
4	5.5	1500	4P	50	29.28	764	1.57
4	5.5	1500	4P	54	27	707	1.72

Power		Speed	Pole Num	n2	Ratio	T	Fs
(kw)	(hp)	(rpm)		(rpm)		(N.m)	
4	5.5	1500	4P	66	21.89	579	2.4
4	5.5	1500	4P	78	18.39	490	2.42
4	5.5	1000	6P	43	21.89	888	1.58
4	5.5	1000	6P	55	17.11	695	2.16
5.5	7.5	1000	6P	55	17.11	955	1.58
5.5	7.5	1500	4P	42	34.55	1251	1.14
5.5	7.5	1500	4P	54	27.01	973	1.26
5.5	7.5	1500	4P	66	21.89	796	1.76
5.5	7.5	1500	4P	78	18.39	673	1.77
5.5	7.5	1500	4P	84	17.11	625	2.4
5.5	7.5	1500	4P	105	13.75	500	2.72
7.5	10	1500	4P	66	21.89	1085	1.32
7.5	10	1500	4P	85	17.11	843	1.81
7.5	10	1500	4P	105	13.75	682	2
7.5	10	1500	4P	123	11.78	582	2
7.5	10	1500	4P	135	10.75	531	2.8
7.5	10	1500	4P	165	8.81	434	3.1
11	15	1500	4P	85	17.11	1236	1.2
11	15	1500	4P	105	13.75	1000	1.3
11	15	1500	4P	123	11.78	854	1.34
11	15	1500	4P	135	10.75	778	1.88
11	15	1500	4P	165	8.81	637	2